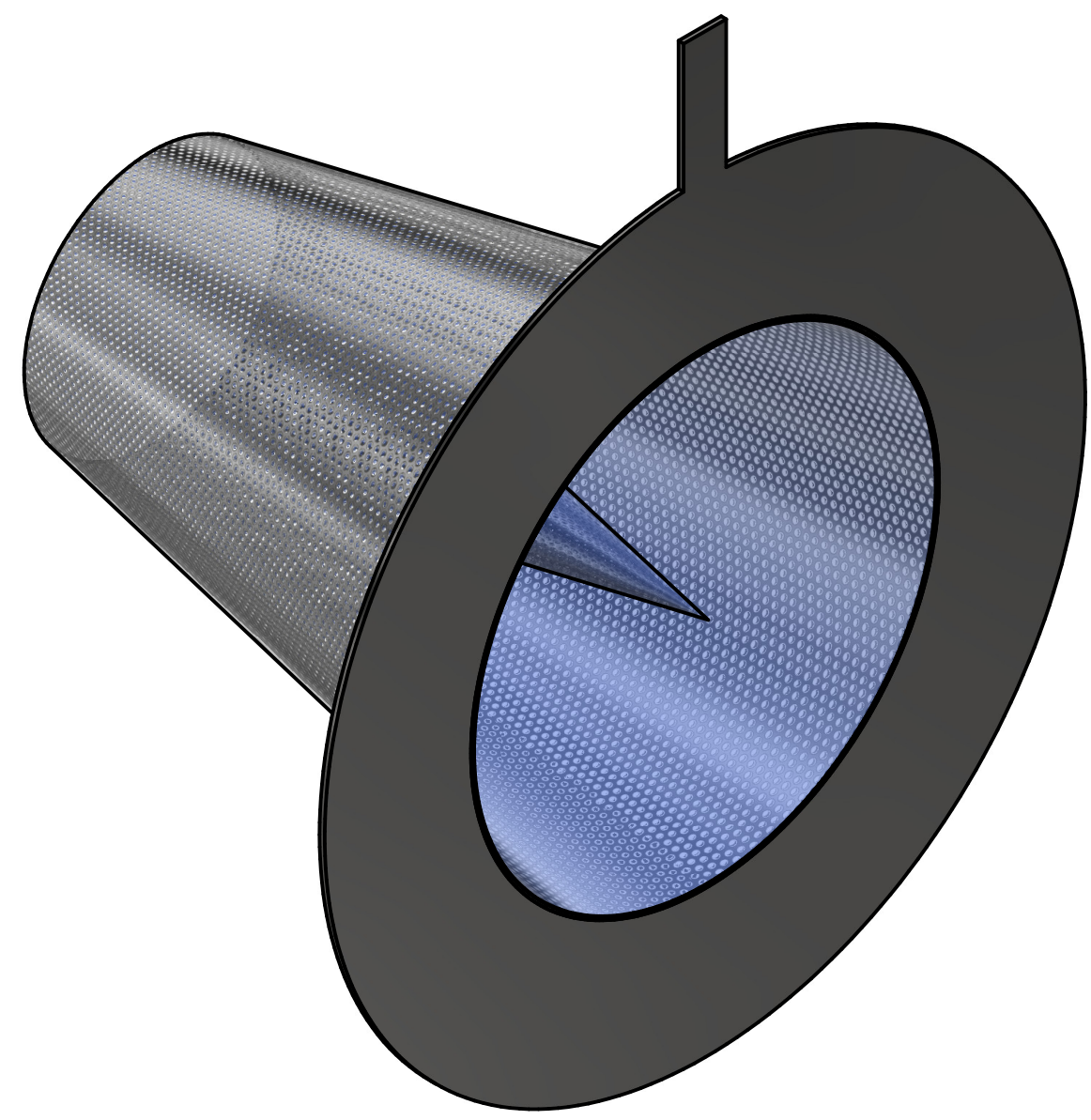


SECTION A-A
SCALE 1 / 3



ALL DIMENSIONS ARE INCHES
TOLERANCES ARE +/- 1/16"
MATERIAL IS 316SS
MESH LINED FOR NORMAL FLOW (INNER MESH)
MESH SIZE 80 X 80

DRAWN A SUBERO	5/11/2021	FLUID FILTRATION MFG CORP		
CHECKED		TITLE		
QA		SIZE 12"-600#		
MFG		DOUBLE ELEMENT CONE		
APPROVED		MESH LINED FOR NORMAL FLOW		
		SIZE	DWG NO	REV
		C	12.600.DC	
		SCALE	1 / 3	SHEET 1 OF 1