

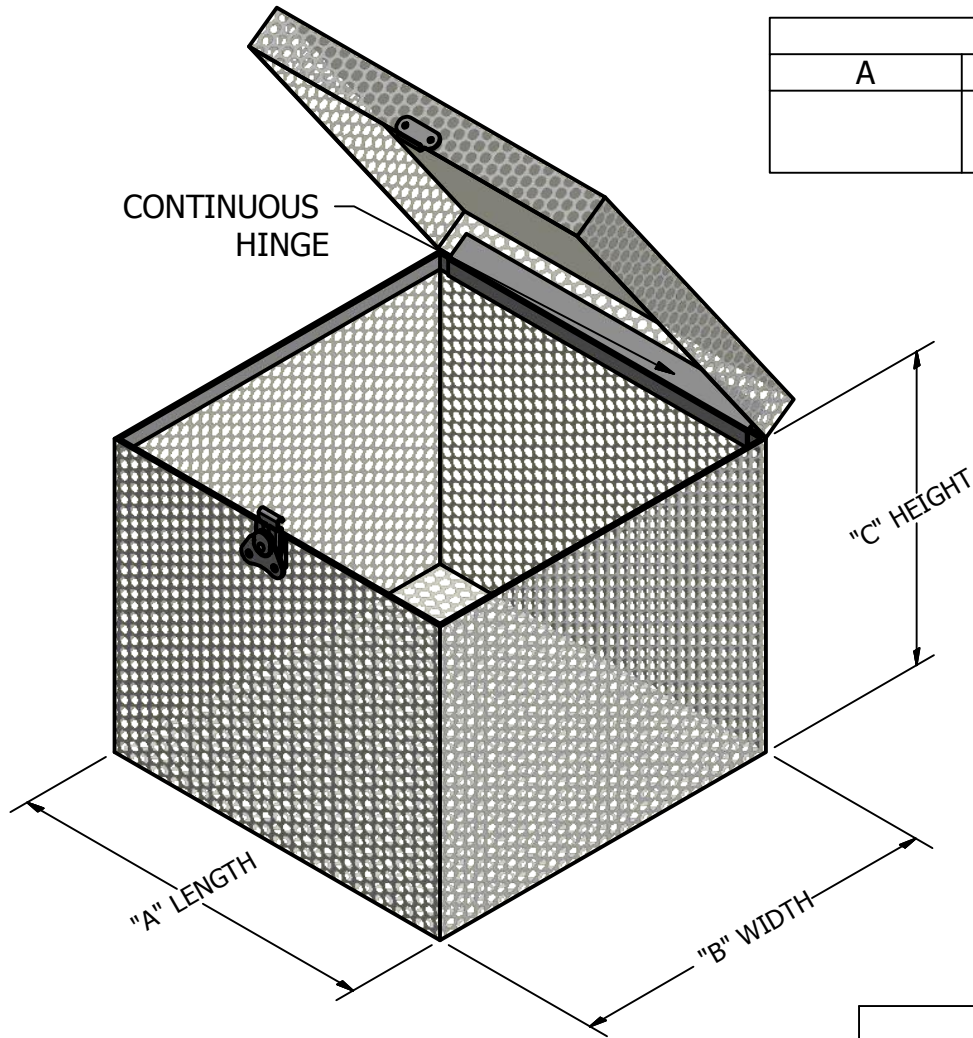
REVISION HISTORY

REV	DESCRIPTION	DATE	APPROVED
0	INITIAL RELEASE	8/26/2016	TZ

DIMENSIONS

A	B	C	PERF	MESH	LATCH QTY

CONTINUOUS HINGE



B

B

A

A

A

A

	NAME	DATE
ENG APPR	TOM Z.	8/26/2016
MGR APPR	AL BORZI	8/26/2016



FLUID FILTRATION
MANUFACTURING CORP.

MATL:
(INDICATE MATERIAL)

TITLE
SQUARE BASKET STRAINER WITH HINGED
LID AND DRAW LATCHES

UNLESS OTHERWISE SPECIFIED
DIMENSIONS ARE IN INCHES

SIZE DWG NO
A FFM022

ANGLES ±1.0°
2 PL ±0.13 3 PL ±0.063

CUSTOMER:

SCALE:1 / 5

SHEET:2 OF 2

THIS DRAWING CONTAINS INFORMATION PROPRIETARY TO
FLUID FILTRATION MANUFACTURING CORPORATION, ANY
UNAUTHORIZED USE OF THIS DRAWING IS EXPRESSLY
PROHIBITED WITHOUT THE WRITTEN PERMISSION FROM FPMC.