

2

1

REVISION HISTORY

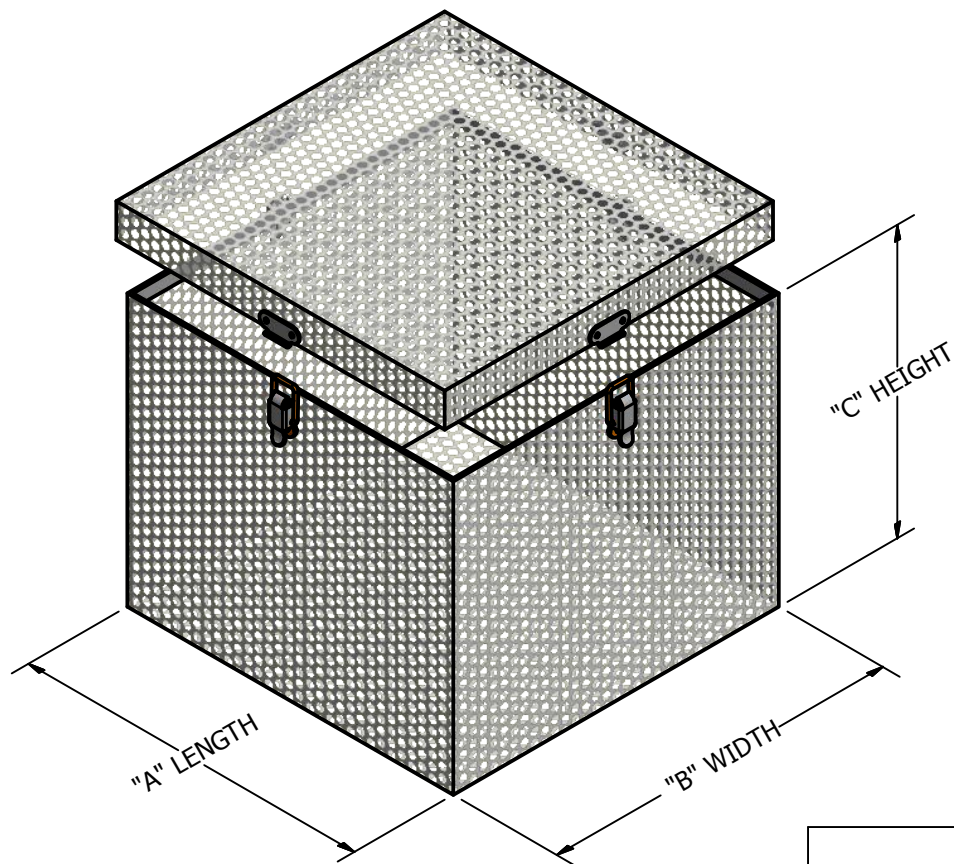
| REV | DESCRIPTION     | DATE      | APPROVED |
|-----|-----------------|-----------|----------|
| 0   | INITIAL RELEASE | 8/26/2016 | TZ       |

DIMENSIONS

| A | B | C | PERF | MESH | LATCH QTY |
|---|---|---|------|------|-----------|
|   |   |   |      |      |           |

B


B



A

A

THIS DRAWING CONTAINS INFORMATION PROPRIETARY TO FLUID FILTRATION MANUFACTURING CORPORATION, ANY UNAUTHORIZED USE OF THIS DRAWING IS EXPRESSLY PROHIBITED WITHOUT THE WRITTEN PERMISSION FROM FFMC.

|  |          |               |   |
|--|----------|---------------|---|
|  | NAME     | DATE          |  <b>FLUID FILTRATION</b><br><b>MANUFACTURING CORP.</b> |
| ENG APPR   | TOM Z.   | 8/26/2016     |   |
| MGR APPR   | AL BORZI | 8/26/2016     |   |
| MATL:<br>(INDICATE MATERIAL)   |          |               | TITLE<br>SQUARE BASKET STRAINER WITH SHOEBOX LID AND DRAW LATCHES   |
| UNLESS OTHERWISE SPECIFIED<br>DIMENSIONS ARE IN INCHES<br>ANGLES $\pm 1.0^\circ$ |          |               | SIZE   DWG NO<br><b>A</b>   FFM023  |
| 2 PL $\pm 0.13$ 3 PL $\pm 0.063$   |          |               | CUSTOMER:   |
| SCALE: 1 / 5   |          | SHEET: 2 OF 2 |   |

2

1