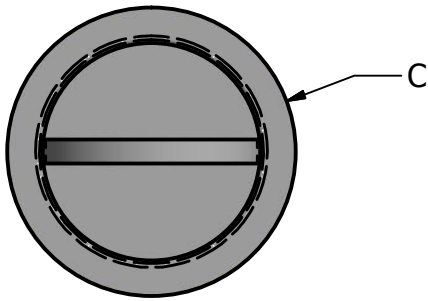


2

1

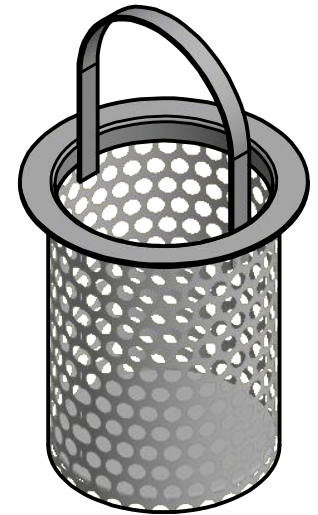
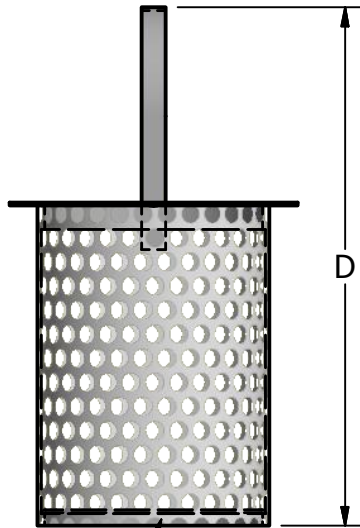
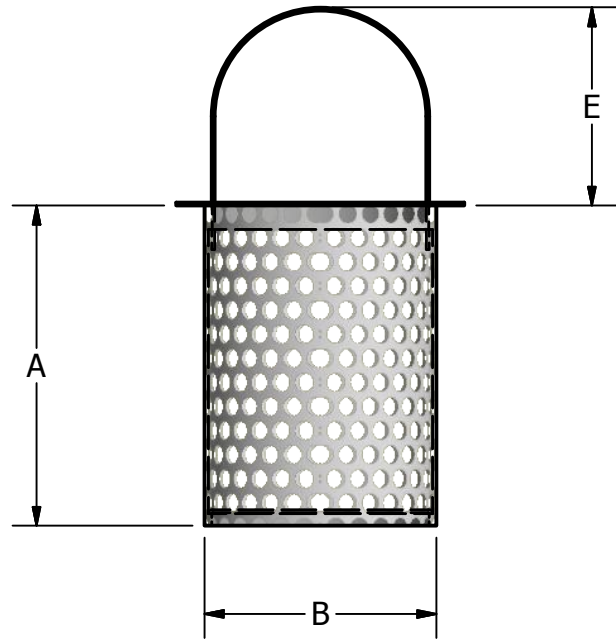
REVISION HISTORY

REV	DESCRIPTION	DATE	APPROVED
0	INITIAL RELEASE	8/24/2016	TZ



B

B



PERF SIZE: _____

GAUGE: _____

MESH: _____ (WRITE NONE IF NONE)

INSIDE OUTSIDE

PLAIN DUTCH WEAVE

ENTER DIMENSIONS

A	B	C	D	E

PERFORATED OR SOLID BOTTOM

(CIRCLE ONE)

A

A

	NAME	DATE
ENG APPR	TOM Z.	8/24/2016
MGR APPR	AL BORZI	8/24/2016



FLUID FILTRATION
MANUFACTURING CORP.

MATL:
(INDICATE MATERIAL)

TITLE
PERFORATED BASKET WITH
HANDLE AND MESH LINER

UNLESS OTHERWISE SPECIFIED
DIMENSIONS ARE IN INCHES

SIZE DWG NO
A FFM001

ANGLES ±1.0°

2 PL ±0.13 3 PL ±0.063

CUSTOMER:

SCALE: 1 / 3

SHEET: 2 OF 2

THIS DRAWING CONTAINS INFORMATION PROPRIETARY TO
FLUID FILTRATION MANUFACTURING CORPORATION, ANY
UNAUTHORIZED USE OF THIS DRAWING IS EXPRESSLY
PROHIBITED WITHOUT THE WRITTEN PERMISSION FROM FPMC.

2

1