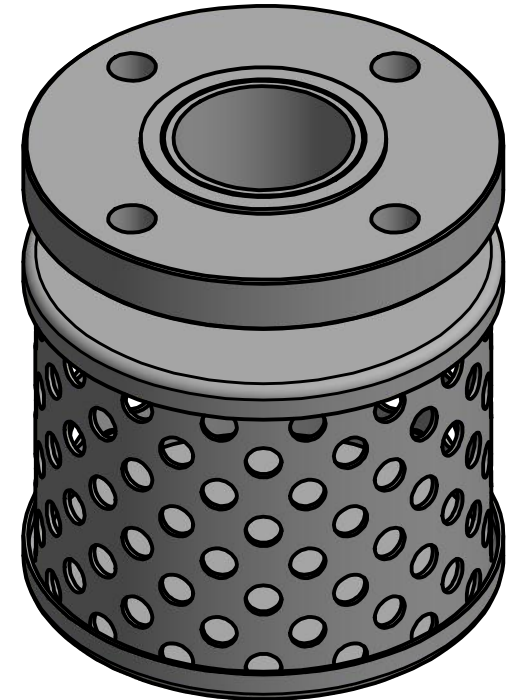
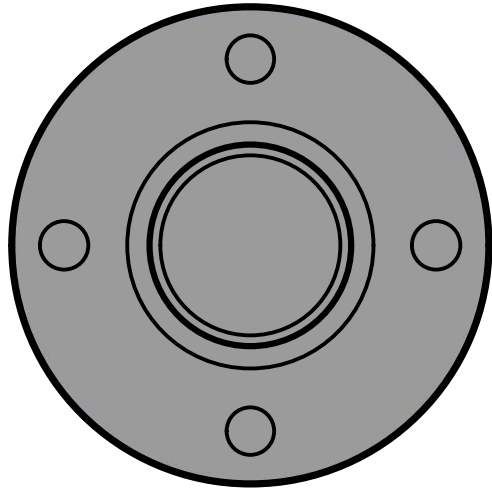


2

1

REVISION HISTORY

REV	DESCRIPTION	DATE	APPROVED
0	INITIAL RELEASE	8/25/2016	TZ



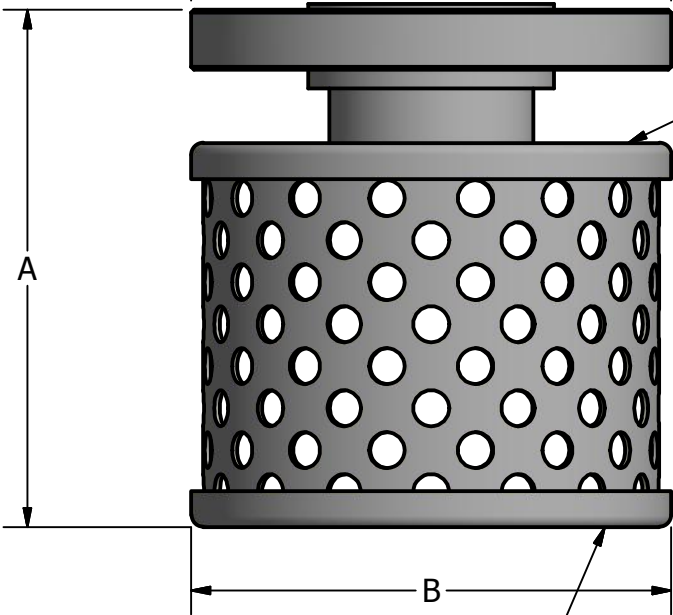
B

B

C (ANSI FLANGE)

SOLID OR PERFORATED TOP

(CIRCLE ONE)



SOLID OR PERFORATED BOTTOM

(CIRCLE ONE)

DIMENSIONS

A	B	PERF	C FLANGE

A

A

	NAME	DATE
ENG APPR	TOM Z.	8/25/2016
MGR APPR	AL BORZI	8/25/2016



FLUID FILTRATION  
MANUFACTURING CORP.

MATL:  
(INDICATE MATERIAL)

TITLE  
SUCTION STRAINER WITH  
ANSI FLANGE

UNLESS OTHERWISE SPECIFIED  
DIMENSIONS ARE IN INCHES

SIZE DWG NO  
A FFM008

ANGLES ±1.0°

2 PL ±0.13 3 PL ±0.063

CUSTOMER:

SCALE:1 / 2

SHEET:2 OF 2

THIS DRAWING CONTAINS INFORMATION PROPRIETARY TO  
FLUID FILTRATION MANUFACTURING CORPORATION, ANY  
UNAUTHORIZED USE OF THIS DRAWING IS EXPRESSLY  
PROHIBITED WITHOUT THE WRITTEN PERMISSION FROM FPMC.

2

1